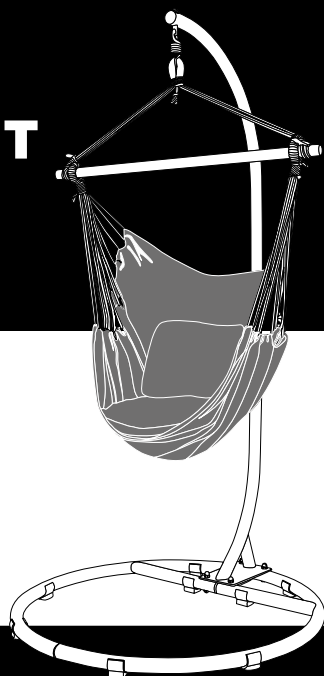




PRODUCT MANUAL

SINGLE HAMMOCK CHAIR KIT

TT601CK



120KG CAPACITY

HAMMOCK FABRIC SIZE: **100(W)** x **130(L)**cm

HAMMOCK STAND SIZE: **100(DIA)** x **205(H)**cm



WARNING

Read instructions before use and keep for future reference. Failure to read these instructions before use can lead to an increased risk of injury. When installing always check with a qualified builder for safety. Two Trees will only guarantee the performance of this product when used with other Two Trees products. i.e. if non Two Trees hammocks or stand are used, the guarantee is void.

Thank you for purchasing a Two Trees hammock.

We at Two Trees know the importance of spending time relaxing. Hence we've developed a range of quality hammocks and convenient accessories that come with easy to follow instructions so that you will be relaxing in no time. It is important to read all instructions before use and take care when using your hammock. Please ensure that you adhere to the following safety measures to get the maximum enjoyment from your new hammock.



WARNING

Read instructions before use and keep for future reference. Failure to read these instructions before use can lead to an increased risk of injury. When installing always check with a qualified builder for safety.

CAUTION AND SAFETY INSTRUCTIONS

1. Assembly must be carried out by an Adult.
2. Ensure hammock is fully assembled before use.
3. **DO NOT** exceed the maximum load of 120kgs.
4. **DO NOT** climb into hammock feet first.
5. **DO NOT** stand in hammock.
6. **DO NOT** dive into or jump about in hammock.
7. **DO NOT** stick your head through the suspension cords.
8. Keep suspension cords as straight as possible, **DO NOT** twist.
9. Inspect frame base and ensure it is stable before use.
10. **DO NOT** use damaged or weakened hammock hanging accessories.
11. Hammock fabrics and accessories will wear over time and use. Always check the loading capacity and condition of parts before use.
12. Hammocks are not designed for swinging, playing, climbing or to be used as a children's toy.
13. **DO NOT** leave children or pets unattended in or near hammock.
14. Hammock fabric, suspension cords and hanging accessories will become worn over time and use. Always inspect prior to use and **DO NOT** use if items show signs of damage or weakness.
15. Always check the loading capacity before use.
16. Keep hammock clear of obstructions.
17. Allow a minimum of 50cm clearance range around the perimeter of your hammock when in use (Fig. 1).
18. Only use hammock on level floors with shock-absorbing properties such as carpet or outdoor grass to minimise risk of injury in case of an accident. **DO NOT** use on Slippery or uneven surfaces.
19. Only use Two Trees accessories for hanging your hammock.
20. **DO NOT** modify hammock. Hammock must be used in accordance of this manual.
21. **DO NOT** smoke in or around the hammock. Keep away from heat or flames.
22. **DO NOT** use whilst wearing shoes, clothing, jewellery or accessories that have a hook and loop fastener.
23. **DO NOT** use near sharp objects.
24. A copy of this manual must be provided should the hammock transfer ownership.

Only use Two Trees stand or Two Trees installation kits specifically designed for the product. If using an installation kit to hang your hammock chair from a tree or a load bearing beam please check with a qualified builder prior to installation. The hammock needs to be checked for wear and tear regularly and replaced if necessary. Exposure to the elements, sunlight, wet weather, cleaning etc will deteriorate your hammock overtime reducing its life expectancy.

The instructions outlined and shown in the pictures must be observed and passed onto all hammock users. Not following the instructions provided poses a safety risk for which no liability will be assumed. Keep this manual for future reference and pass onto all hammock owners.

For detailed installation instructions on (TT503HS) Two Trees Spring, please refer to the Two Trees website.

www.twotreeshammocks.com.au or scan the below QR code.



WARNING:

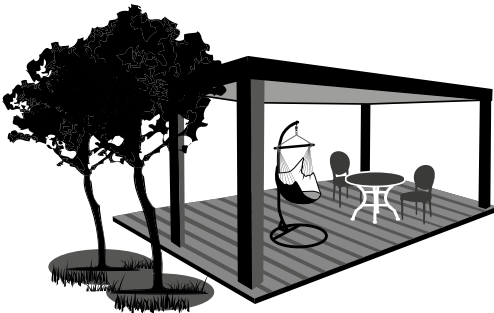
DO NOT EXCEED THE MAXIMUM LOAD OF 120KGS

Read instructions before use and keep for future reference. Failure to read these instructions before use can lead to an increased risk of injury. When installing always check with a qualified builder for safety.



SELECTING THE LOCATION

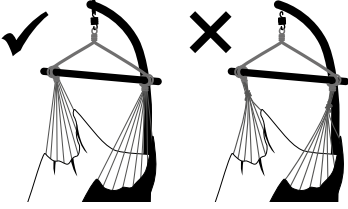
There are many ways to hang your hammock, here are some of our favourite and recommended options:



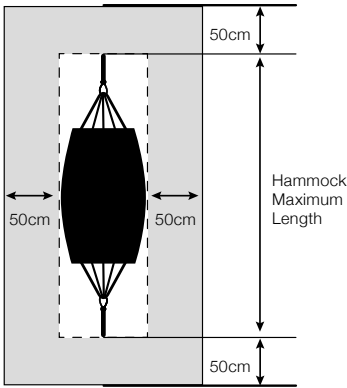


WARNING

Read instructions before use and keep for future reference. Failure to read these instructions before use can lead to an increased risk of injury. When installing always check with a qualified builder for safety.



DO NOT twist or knot suspension cords when hanging.



Allow a minimum of 50cm clearance range around the perimeter of your hammock when in use. <Fig.1>

NB: Traditional hammock shown for reference, Illustration purposes only.




DO NOT exceed the maximum load of 120kgs.



DO NOT leave children or pets unattended in or near hammock.

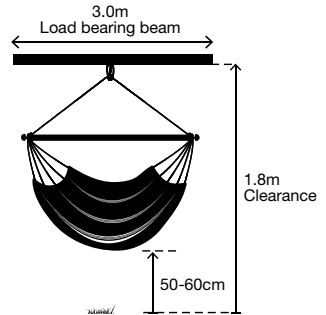
Should you not want to use your included stand and would like to hang from a tree or structural beam, follow the below guide.

To hang your Two Trees hammock you will require one fixed point, such as a tree or structural beam. Consult a qualified builder if unsure.

 **WARNING:** Never attach hammock directly to a ceiling or roof covering.

Your Two Trees hammock will require a sturdy fixing point. Rope or metal chain may be needed to attach to the fixing point if the hammock is to hang off the ground. It is recommended to use a double piece to avoid the hammock twisting. Consult a qualified builder if unsure.

Hang the hammock using the fixing loop. As a guide when the hammock is in use it should sit 50-60cm above the ground so your feet can touch the ground.



TEMPORARY INSTALLATIONS

For temporary installations, such as trees or beams, we recommend using the Two Trees hammock hanging kit (TT501HK). For more information about our installation products please visit our website (www.twotreeshammocks.com.au)

- 1 Place the cord around the pole or tree, then thread through the figure eight hook.



- 2 Thread the cord through the clamp hook and secure at desired length.



- 3 Repeat process for other side of hammock. Ensure both hooks are secure, place hammock ends over hooks.



HOW TO RELAX IN YOUR HAMMOCK

1



Ensure that no suspension cords are twisted or in a knot, with use your hammock will stretch 5-10% overtime.

2



Gently open the hammock chair and adjust pillows to a suitable positions.

3



Sit down into the hammocks as if sitting on a chair, leaning back gently back resting your back against the back.

4



Feet may be gently lifted of the ground as you sit back and relax. Please ensure that your feet are able to touch the ground in case of you need to exit the hammock chair and stand.

CARING FOR YOUR HAMMOCK STAND

To prolong the life of your hammock and frame its best to store away when not in use, as the sun and rain will deteriorate the construction over time. If using near the sea it is important to rinse your hammock regularly .

Hand washing is recommended for your Two Trees hammock chair. Prior to hand washing tie a lose knot If possible or secure the ropes together to prevent tangles. Cold water hand washing with non-bleach detergent. DO NOT tumble dry. DO NOT iron. Dry in shade. A light coating of water resistant spray may help prevent the build up of dirt and dust over time.

STORING YOUR HAMMOCK

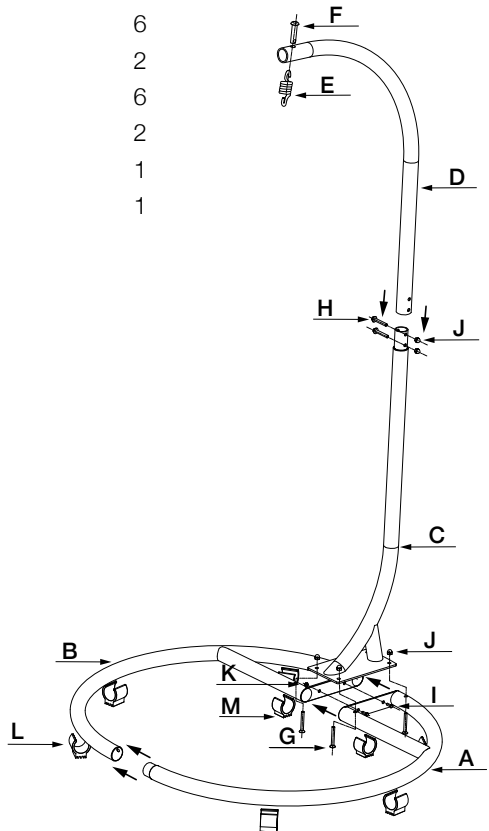
When storing your Two Trees hammock make sure the hammock is clean and completely dry.

To prevent tangles place a knot in the suspension cord is possible or secure the ropes together. fold the seat and ropes together to form a compact square. Store in a dry place.



LIST OF PARTS

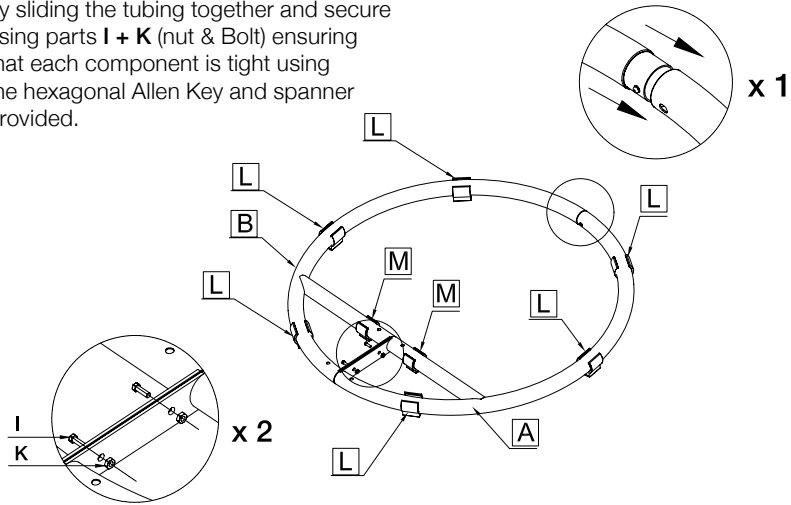
A	Base Tube A	1
B	Base Tube B	1
C	Support Pipe A	1
D	Support Pipe B	1
E	Hanging Spring Hook	1
F	Bolt	1
G	Hexagon Socket Button Screw	4
H	Hexagonal Socket Screw Outer With Washer	2
I	Hexagonal Socket Screw Outer	2
J	Screw Cap	6
K	Dome Nut	2
L	Plastic Stand Caps Large	6
M	Plastic Stand Caps Small	2
N	Hexagonal Allen Key	1
O	Spanner	1



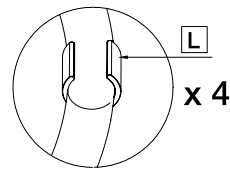
HAMMOCK STAND SIZE: 100(Diameter) x 205(H)cm
Suitable for use with the Two Trees hammock chair only.

CHAIR HAMMOCK FRAME ASSEMBLY INSTRUCTIONS

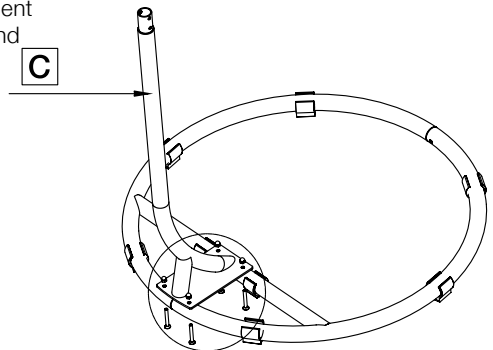
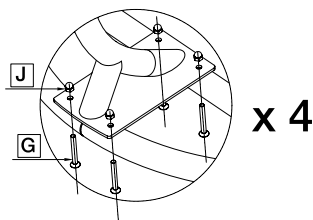
- 1** Assemble parts **A + B** (Hammock Base) by sliding the tubing together and secure using parts **I + K** (nut & Bolt) ensuring that each component is tight using the hexagonal Allen Key and spanner provided.



- 2** Attach 4 x plastic support collars part **L** at each corner of the circle to stabilise the base. The collars should be equal distances apart.

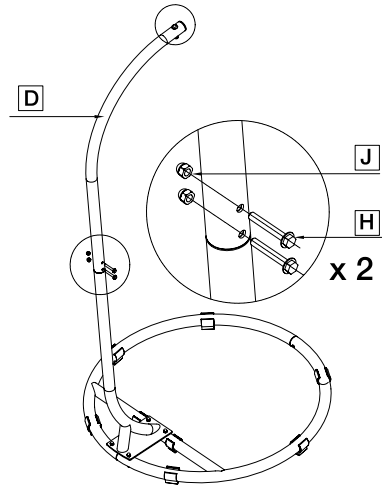


- 3** Secure support pole **C** to the base using parts **J + G** ensuring that each component is tight using the hexagonal Allen Key and spanner provided.

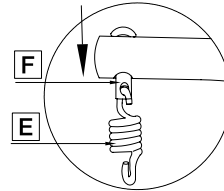


CHAIR HAMMOCK FRAME ASSEMBLY INSTRUCTIONS

- 4** Attach part **D** (Hammock Pole Extension) into part **C** using parts **J** + **H** and ensure they are securely tightened using the hexagonal Allen Key and spanner provided.

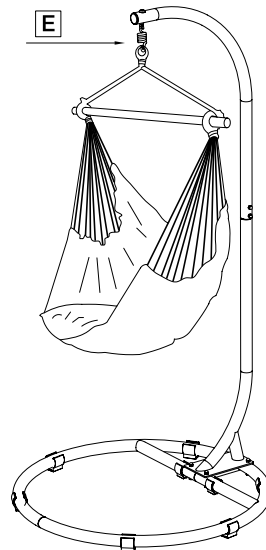


- 5** Take part **F** (Hammock Support Pin) and feed it through the hole at the end of part **D**. Attach part **E** (Hammock Spring) by threading the hook through the end of part **F**.



- 6** Ensuring no suspension ropes are twisted, hang your hammock onto the other end of part **E** (suspension spring) place one pillow on the seat and one at the back of the hammock and enjoy!

Please refer to instruction on how to relax in your hammocks for seating instructions.





Made in China exclusively for Mayo Hardware Pty Ltd
4 Secombe Place, Moorebank NSW 2170 Australia
Customer Service Phone: 1300 360 211
www.mayohardware.com.au | 2021[®]

For more information visit
www.twotreeshammocks.com.au

We will honour all statutory guarantees that this product is
of acceptable quality. (including that it is fit for purpose)